

Concept Direction Package

Minneapolis, MN

Willard Park Skate Spot

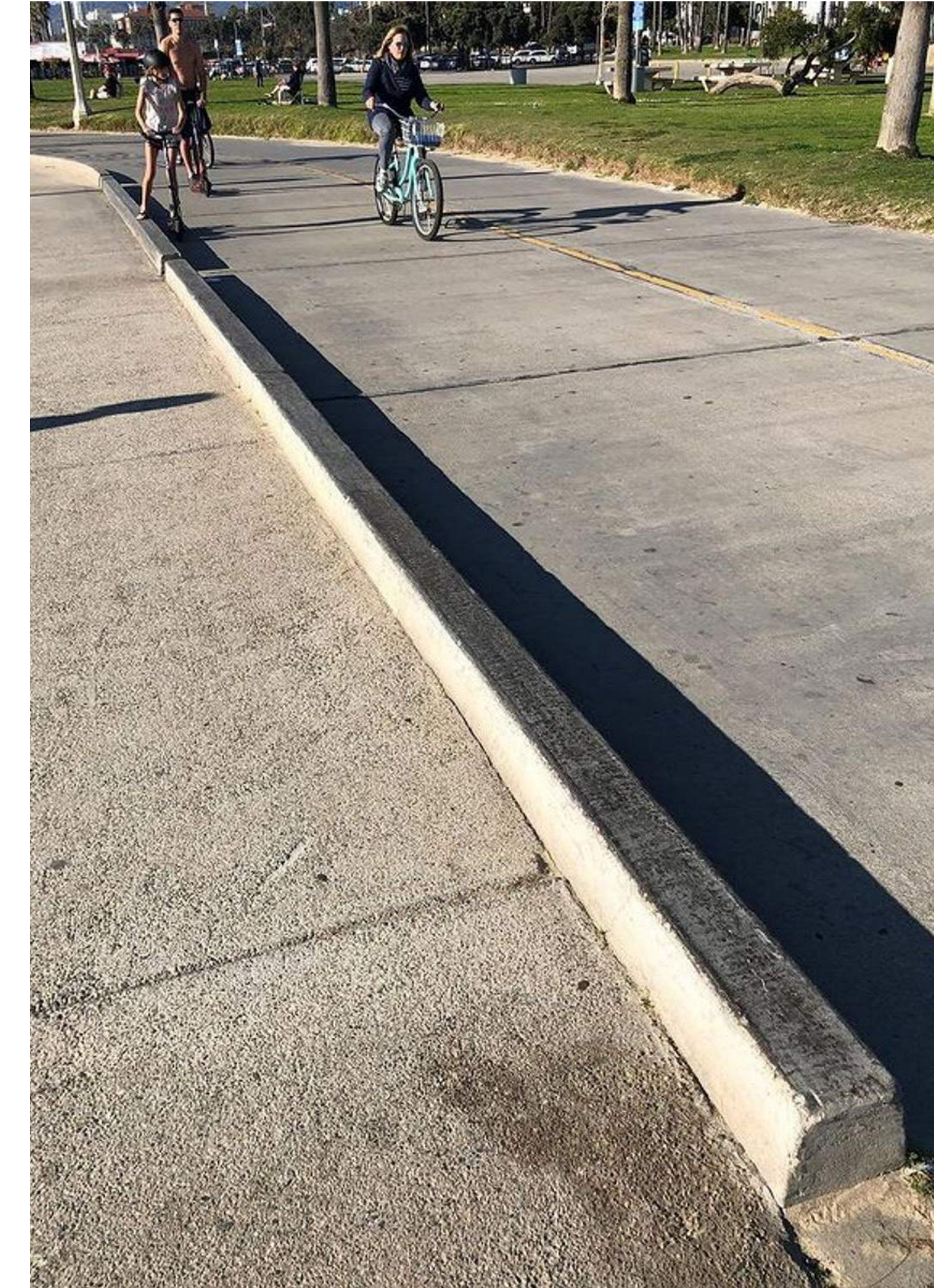


CONTENTS

PAGE

Precedent Imagery	2
Concept Option 1 - Ledge Garden	3
Concept Option 2 - Bank to Ledge	4

PRECEDENT IMAGERY

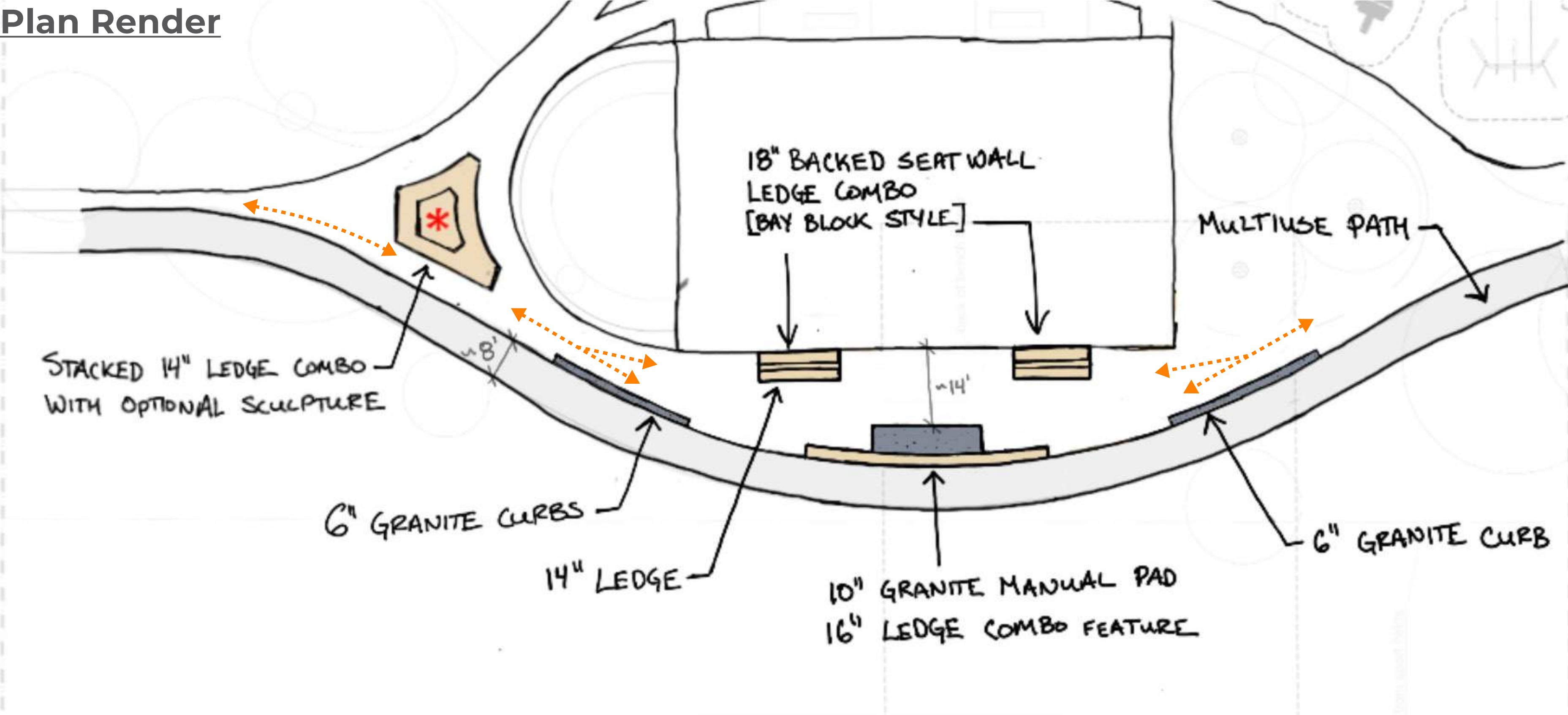
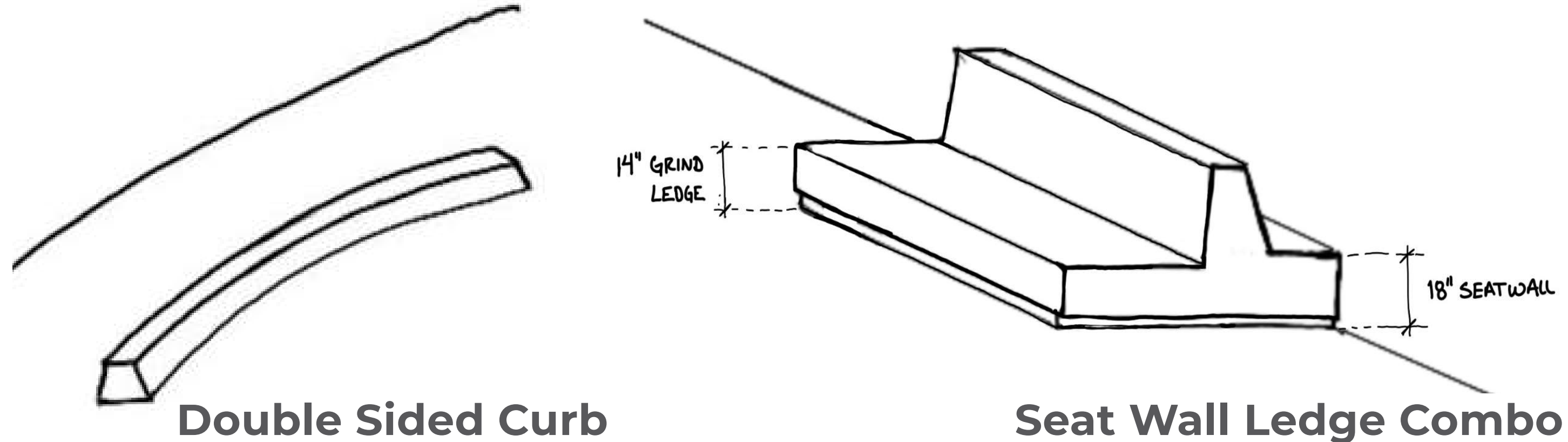


DESIGN DIRECTIONS

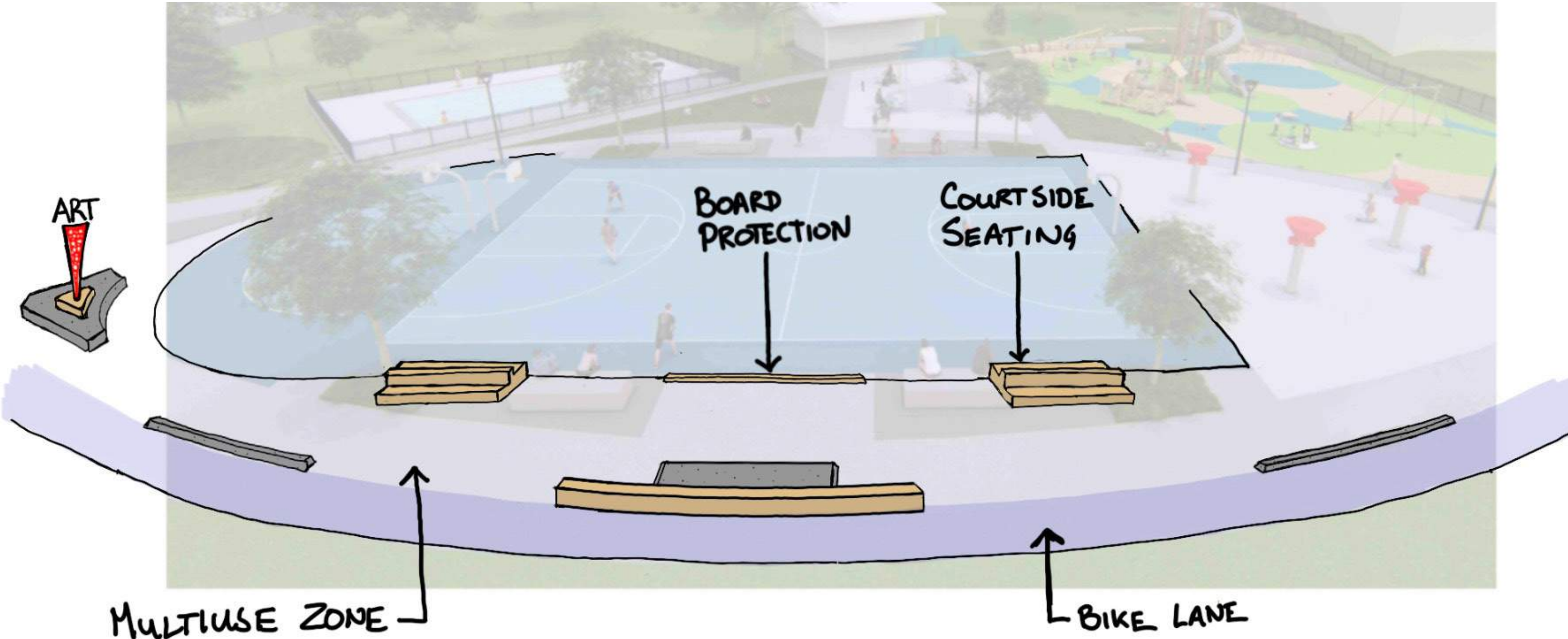
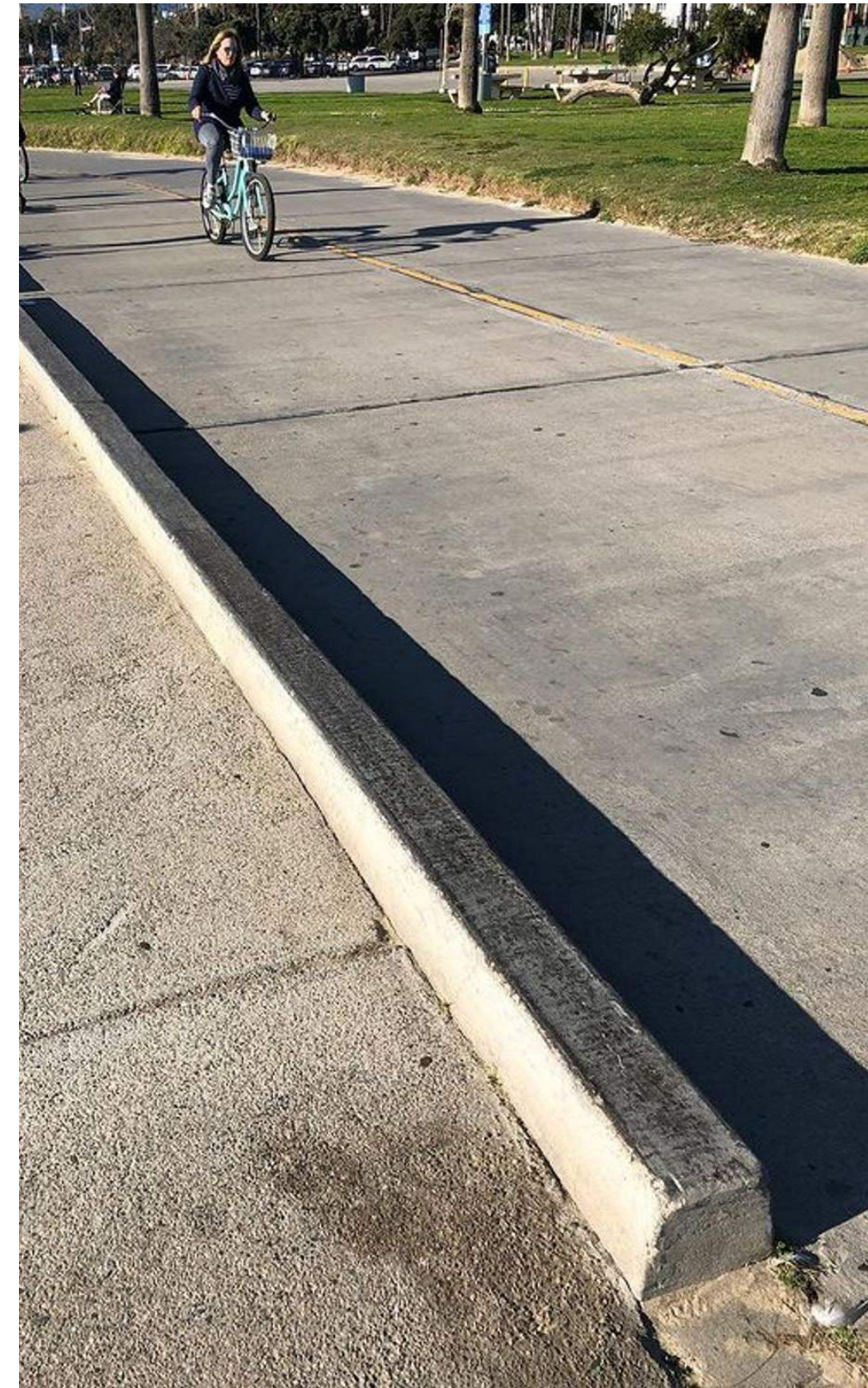
CONCEPT OPTION 1: Ledge Garden

Design Narrative

The layout features terraced blocking with a sculpture to the north and a central tech island with granite manual pad with ledge combo. Double sided curbs protect the bike lane to the west and create spacious flatground within the multi-use space. Two backed seat wall ledge combos create separation between the skate spot features and the basketball court to the east.



Perspective Sketch

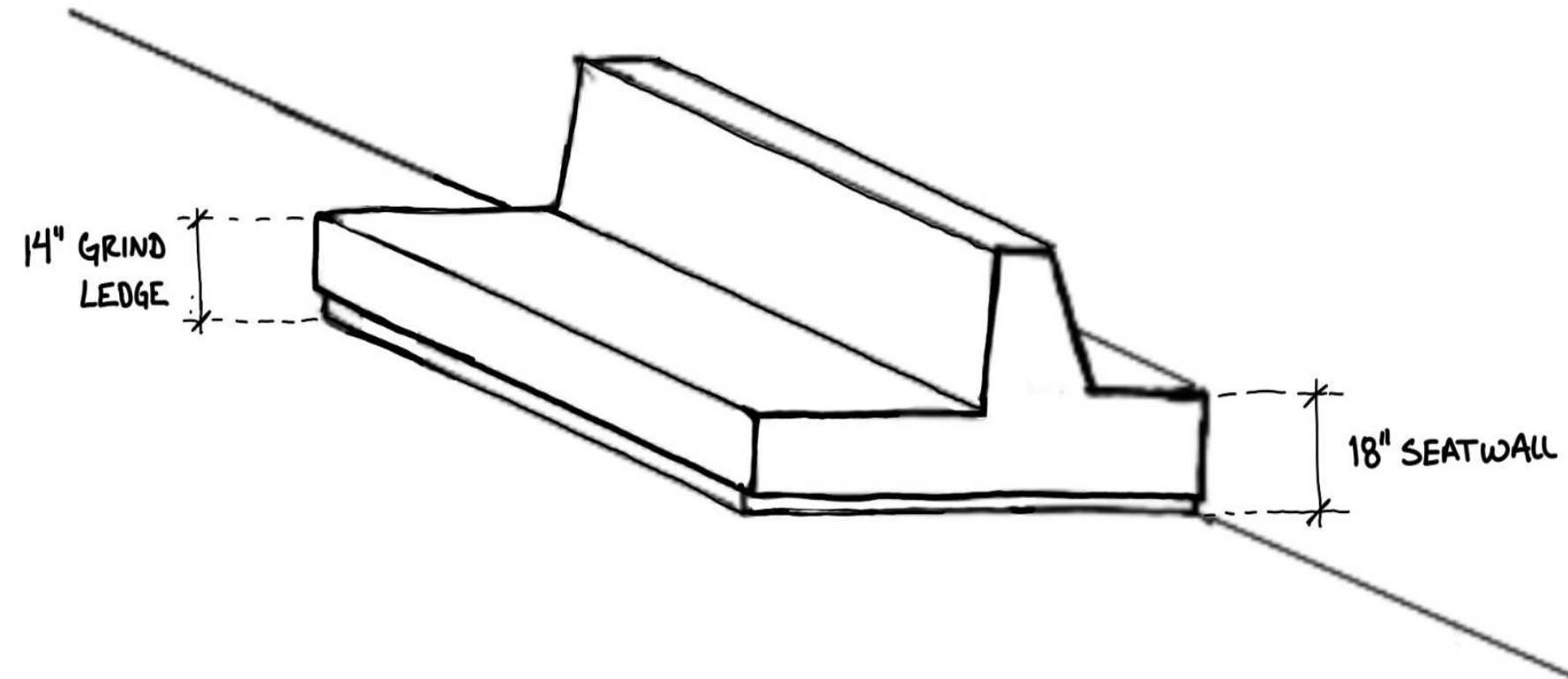


DESIGN DIRECTIONS

CONCEPT OPTION 2: Bank to Ledge

Design Narrative

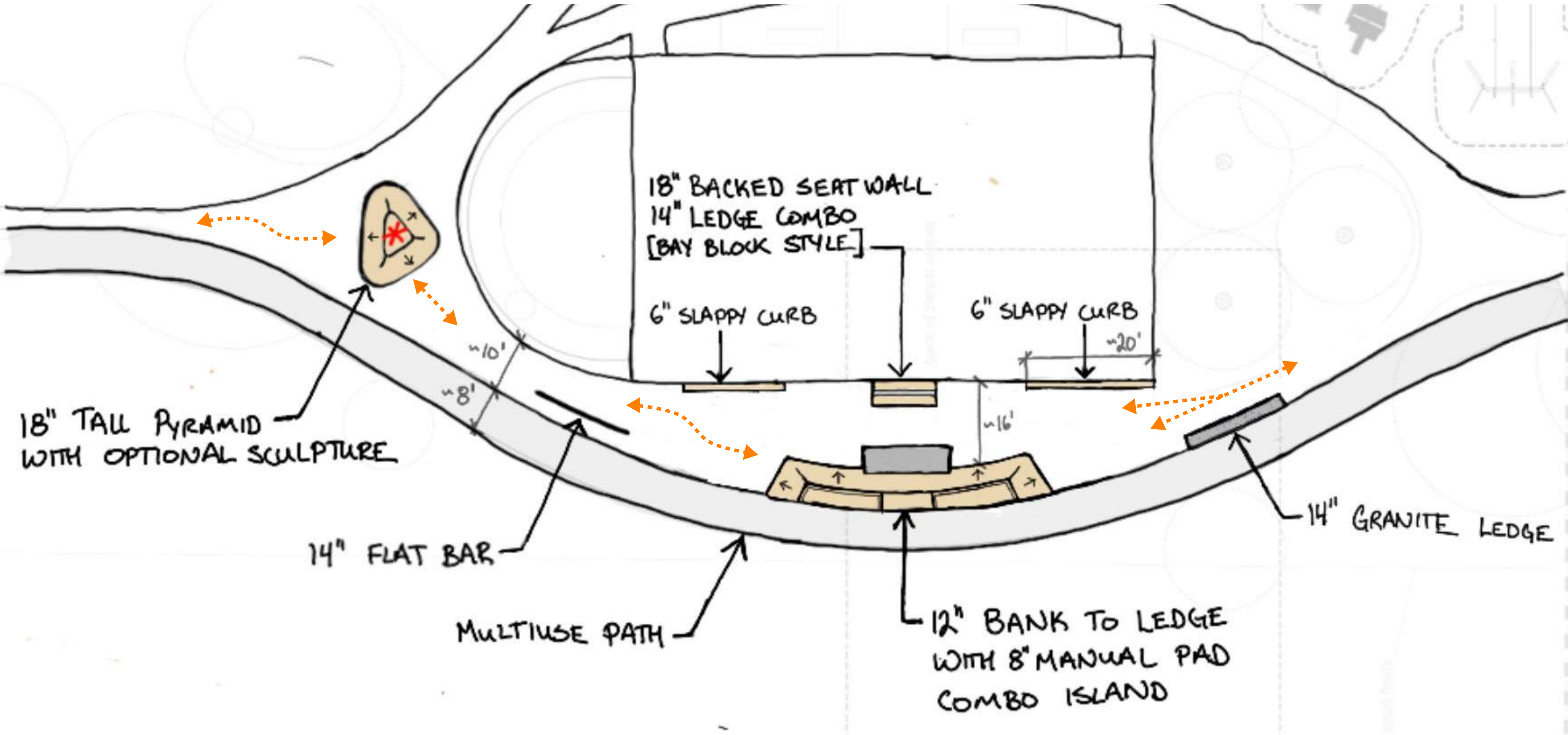
The layout features a transitional sculpture island to the north, with a long bank to ledge and manual pad combo island. Curbs, a flatbar, a ledge and a seat-back ledge surround the center feature.



Seat Wall Ledge Combo



Plan Render



Perspective Sketch

